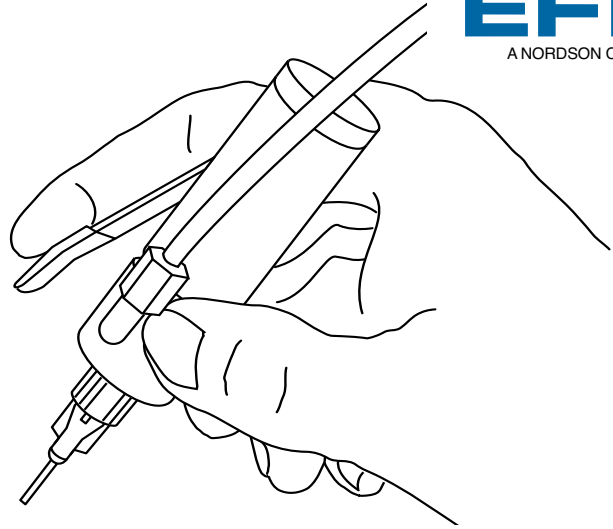


The 740V-HL hand-operated dispense gun is a rugged industrial lever-actuated fluid dispensing valve. The valve incorporates a quick-change fluid body for fast and easy cleaning. The fluid inlet fitting for 1/4" OD feed tubing and an assortment of dispensing tips are included.



Electronic pdf files of EFD manuals are also available at www.efd-inc.com/manuals.html

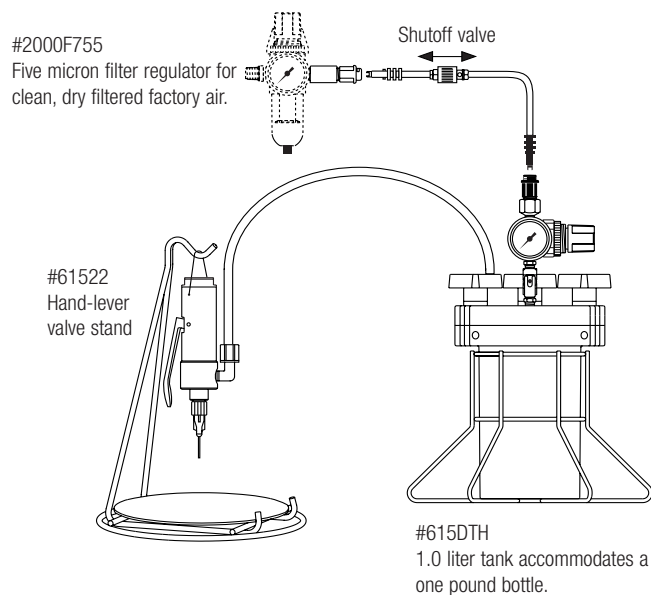
Getting started ...

1. Install the feed tube from the fluid reservoir to the inlet fitting and tighten the compression nut to secure. The fluid body may be rotated up to 1/2 turn to locate the fluid inlet fitting in a comfortable position.
2. Apply air pressure to the fluid reservoir. Start with a low setting of 20 psi (1.4 bar). If using an EFD fluid reservoir, refer to the User's Guide for further instructions.
3. Install an appropriate size dispensing tip to the outlet tip adapter. Use large tips for high viscosity materials and small tips for low viscosity.
4. Press the hand-lever to begin fluid flow. Release lever to stop fluid flow.
5. To achieve desired flow, change the size of the dispensing tip or adjust the reservoir fluid pressure.

User's Guide 740V-HL Dispense Gun

For assistance call 800-556-3484 or email tech@efd-inc.com

Typical system setup



For application assistance in the USA, call 800-556-3484.

For EFD sales and service in over 30 countries, contact EFD USA or go to www.efd-inc.com/contact

EFD Inc., a Nordson Company
977 Waterman Avenue
East Providence, RI 02914-1342 USA

Telephone: +1-401-434-1680
Fax: +1-401-431-0237

info@efd-inc.com www.efd-inc.com

Service

Normal cleaning is accomplished by purging with a solvent appropriate for the material being dispensed. .

To thoroughly clean valve chamber and replace needle packings:

1. Remove the fluid inlet fitting and tip adapter/needle seat assembly from the fluid chamber.
2. Remove the fluid chamber from the cylinder body by turning counterclockwise until free. Then remove the O-ring from the fluid chamber.
3. Remove the needle packings from the fluid chamber, using tool #7803 supplied with the valve. Insert through outlet end of fluid chamber and push out the packings. *See Figure 1.*
4. Remove any remaining packings and the packing spring from the needle.
5. Clean the needle with a cloth dampened with solvent.
6. Lubricate the needle with Nye Lubricants #865 grease and reinstall the needle packing spring and a new packing kit. *See Figure 2.*
7. Install a new O-ring (#7517) on the fluid chamber. Screw the cylinder onto the fluid chamber. Hand tighten only. The chamber can be turned back out up to 1/2 turn to orient the fluid inlet fitting to the desired position.
8. Reinstall the tip adapter/seat assembly.

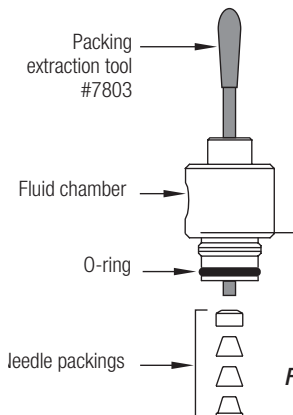


Figure 1

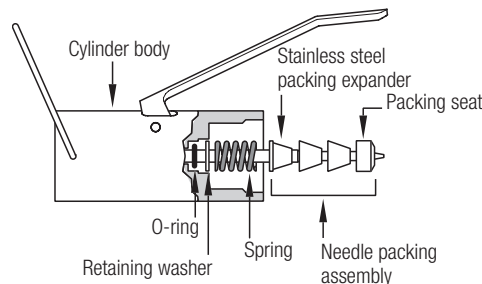


Figure 2

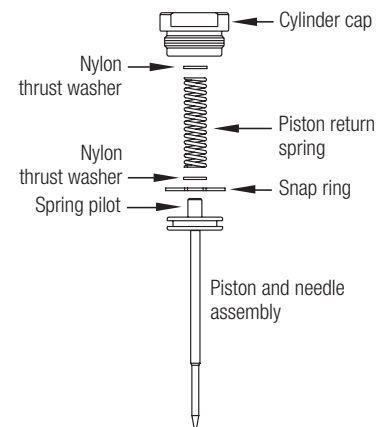
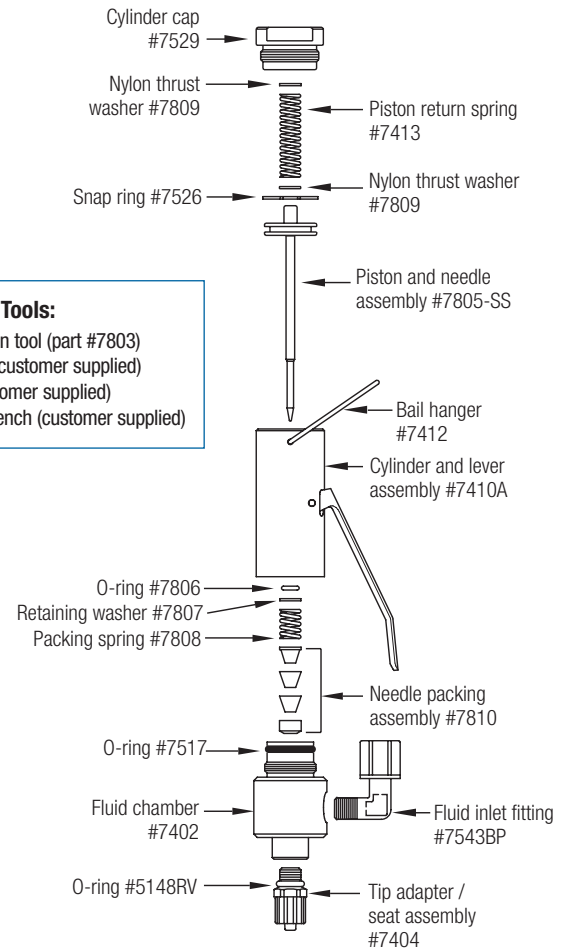


Figure 3

Maintenance Tools:
 packing extraction tool (part #7803)
 snap ring pliers (customer supplied)
 small pliers (customer supplied)
 6" adjustable wrench (customer supplied)



To replace the piston and needle assembly:

1. Remove the cylinder cap by turning counterclockwise until free.
2. Remove the piston return spring, thrust washers and snap ring.
3. Pull the piston and needle assembly out of the air cylinder, using small pliers on the spring pilot at the top of the piston.
4. Clean the cylinder body wall and lubricate with Nye Lubricants #865 grease.
5. Lubricate the needle with Nye Lubricants #865 grease, then reinstall in the cylinder.
6. Reinstall the snap ring.
7. Reinstall thrust washers, spring and cylinder cap. *See Figure 3.*

CAUTION: Check the reservoir pressure gauge prior to performing any maintenance to assure that pressure is zero (0). To confirm this on EFD tanks: slide the shutoff valve on the air hose away from the tank, and open the pressure relief valve on the tank.

For assistance, please call 800-556-3484.