

Controlled, bubble-free dispensing for bonding and lacquer coating.

adhesives
resin
lacquer

EFD[®]
A NORDSON COMPANY



The 752V-DVD valve system is specifically designed for precise dispensing of UV-cure resins and similar fluids used in media manufacturing of DVDs and CDs. Unrestricted material flow reduces turbulence and the formation of bubbles.



Features

- Positive shutoff, no seals
- Valve open time as short as 15 milliseconds
- Cycle rate exceeds 500/minute
- Stainless steel valve head
- Tamper-resist stroke control adjustment
- **Compact and lightweight**
- Low-maintenance design

Performance
Guarantee

Electronic pdf files of EFD manuals are also available at www.efd-inc.com/manuals.html

www.efd-inc.com info@efd-inc.com USA 800-556-3484 Europe +44 (0) 1582 666334 Asia +86 (21) 5854 2345

Sales and service of EFD dispensing systems are available worldwide.

Diaphragm valve systems

The complete system includes the 752V-DVD dispense valve, ValveMate™ 8000 controller, the fluid reservoir and dispense tip.

Expert technical assistance and high quality standards ensure productive, trouble-free performance. EFD offers a full line of reliable dispensing systems to meet your specific application requirements.



ValveMate 8000 Controller

Valve open time is the primary control of deposit size. The ValveMate controller puts push-button adjustment of valve open time where it needs to be — at the valve.

- Multi-valve control- up to (4) valves
- Partner to Programmable Logic Controller (PLC)
- Easy deposit size control
- Increased production output
- End user convenience
- On-the-fly adjustability
- Maximum machine efficiency

Optional: XYZ Dispensing System

The EFD Ultra® TT xyz dispensing system incorporates all functions of the ValveMate. Compact 3-axis tabletop system offers consistent deposit repeatability. Work area: 325 x 325 x 100 mm or 525 x 525 x 100 mm.

Fluid Reservoirs

EFD reservoirs are supplied with precision, constant-bleed regulators to ensure consistent fluid pressure to the valve. Tank reservoirs are available in 1.0, 5.0 and 19.0 liter capacities. Cartridge sizes range from 2.5 to 32 ounces (75cc to 950cc). Note: The 1.0 liter tank accepts a 1 lb. bottle of cyanoacrylate.

Dispense Tips

Tip selection is critical to achieve optimum valve performance. 752V Series valves are packaged with an Ultra dispensing tip kit for maximum fluid control. The kit includes smooth-flow tapered tips in sizes from 14 to 25 gauge, precision stainless steel tips in sizes from 14 to 21 gauge, and tip caps.



For EFD sales and service in over 30 countries, contact EFD or go to www.efd-inc.com/contact

EFD, Inc.

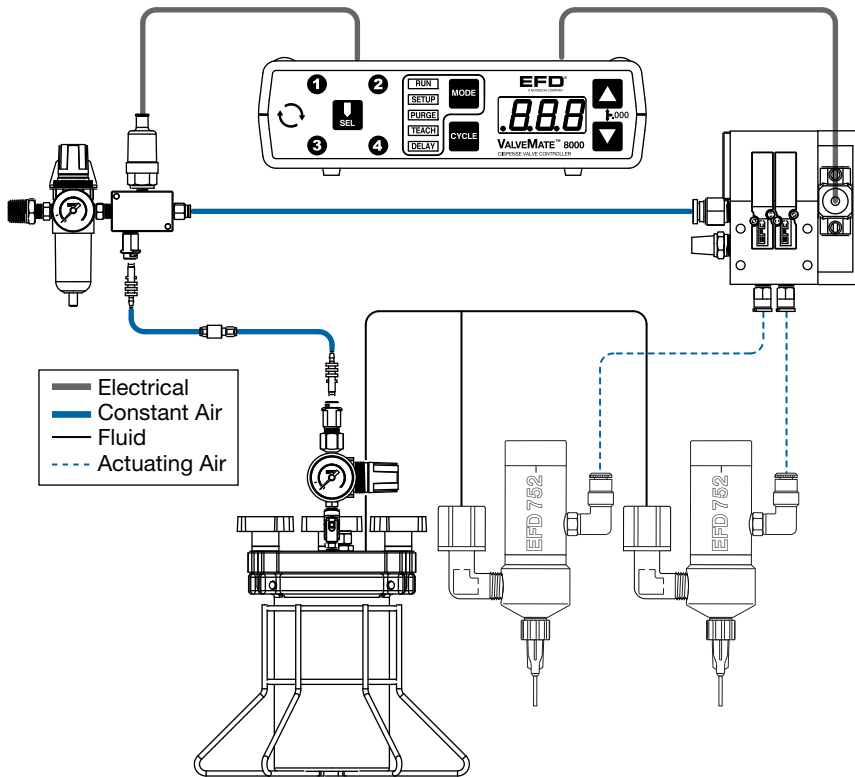
East Providence, RI USA
USA & Canada: 800-556-3484; +1-401-434-1680
info@efd-inc.com www.efd-inc.com

EFD International Inc.

Dunstable, Bedfordshire, UK
0800 585733 or +44 (0) 1582 666334
Ireland 00800 8272 9444
europe@efd-inc.com www.efd-inc.com

EFD, Inc., Asia

China: +86 (21) 5854 2345
china@efd-inc.com www.efd-inc.com/cn
Singapore: +65 6796 9630 sin-mal@efd-inc.com



752V-DVD Valve

The 752V-DVD dispense valve incorporates an inert polymer diaphragm that isolates the actuator from the valve and provides very fine flow control for all low to medium viscosity fluids. The unique design of the 752V-DVD valve provides quick valve ON/OFF and the ability to rapidly obtain maximum flow rates.

Amount dispensed depends on valve open time, fluid pressure, fluid viscosity, flow adjustment and tip size.

Size: 80.7 mm x 26.9 mm diameter (3.18" x 1.06")

Weight (less fittings): 172.9 grams (6.1 oz)

Actuating air pressure required: 70 psi (4.8 bar)

Maximum fluid pressure: 70 psi (4.8 bar)

Fluid inlet thread: 1/8 NPT female

Mounting: (1) 10-32 UNF tapped hole

Cycle rate: Exceeds 500 per minute

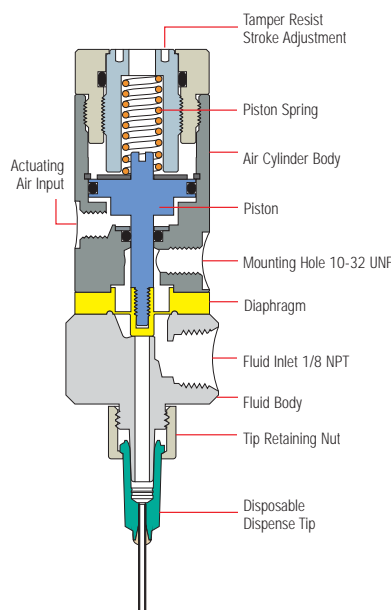
Air cylinder body: Hard coated aluminum

Fluid body: Type 303 stainless steel

Piston: Type 303 stainless steel

Diaphragm: UHMW* polyethylene, FDA approved

Tip retaining nut: Aluminum



752V-DVD
75% actual size

All stainless steel parts are passivated.

*Ultra High Molecular Weight polyethylene