

# Relius™ Solvent Coating Dispenser

## The fast, efficient way to apply consistent amounts of solvent to tubing and cylindrical components

The Relius Solvent Coating Dispenser is a compact, pneumatically operated system that makes it simple to apply accurate, repeatable amounts of solvent to tubing, fittings and other cylindrical components.

The Relius Solvent Coating Dispenser provides a fast, neat alternative to dipping components in solvent and blotting off the excess—simply insert the component into the applicator orifice to automatically coat the ID, OD or both surfaces with the correct amount of solvent.

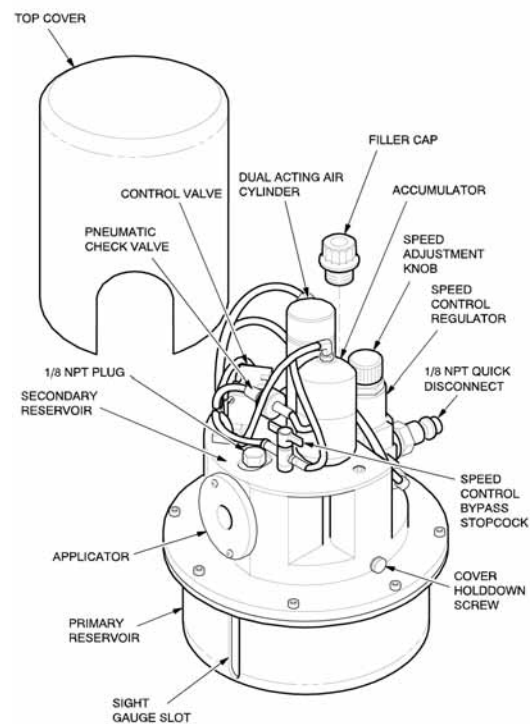


**Performance  
Guarantee**

### Benefits include:

- Greater process control
- Faster throughput, higher yields
- Coats ID, OD or both surfaces simultaneously
- Better product reliability and appearance
- Makes coating process less operator-dependent
- Eliminates solvent contamination and waste
- Fast changeover for different products
- Closed tank reduces vapors
- Pneumatic operation reduces explosion hazard
- Ideal for benchtop, semiautomated and fully automated processes
- Can also be used for silicone oils

## Specifications



**EFD**<sup>®</sup>  
A NORDSON COMPANY

For EFD sales and service in over 30 countries,  
contact EFD or go to [www.efd-inc.com/contact](http://www.efd-inc.com/contact)

### EFD, Inc.

East Providence, RI USA  
USA & Canada: 800-556-3484; +1-401-434-1680  
[info@efd-inc.com](mailto:info@efd-inc.com) [www.efd-inc.com](http://www.efd-inc.com)

### EFD International Inc.

Dunstable, Bedfordshire, UK  
0800 585733 or +44 (0) 1582 666334  
Ireland 00800 8272 9444  
[europa@efd-inc.com](mailto:europa@efd-inc.com) [www.efd-inc.com](http://www.efd-inc.com)

### EFD, Inc., Asia

China: +86 (21) 5854 2345  
[china@efd-inc.com](mailto:china@efd-inc.com) [www.efd-inc.com/cn](http://www.efd-inc.com/cn)  
Singapore: +65 6796 9630 [sin-mal@efd-inc.com](mailto:sin-mal@efd-inc.com)

Power Requirements:	60-90 PSI (4.2-6.3 kgf/c M2) regulated clean, dry air supply
Pneumatic Coupling Supplied:	Quick disconnect male plug, 1/8" male NPT standard (ISO 1/8 28 7/1)
Air Consumption:	7.2 cc (.44 cu. in) /stroke : .0125 cu meters .46 cu. ft) /hr @ maximum recommended speed
Compatible Solvents	Cyclohexanone Dichloroethane Dichloromethane Dimethylformamide (DMF) Dimethylsulphoxide Ethylacetate Isopropyl Alcohol Methylethyl ketone (MEK) Tetrahydrofuran (THF) Trichloroethane
Operating Temperature Range	10°C to 46° (50°F to 115°F)
Dispensing Length Range	Up to 25.4 mm (1 inch)
Dispensing Surface Range	External Surface: 1.5 mm-20.6 mm (.060"- .812") Internal Surface: 2.0 mm-19.0 mm (.080"- .750") OD/ID Surface: 3.1 mm/2.0 mm-20.6 mm/19.0 mm (.120"/.080"- .812"/.750")
Pump Displacement	.85 cc
Maximum Recommended Speed	30 Strokes per minute
Minimum Recommended Speed	2 Strokes per minute
Solvent Volume Applied	Dependent on component size, length of dispensing, and pump speed
Size	26.0 cm high x 19.7 cm diameter (10.2" x 7.8")
Weight (dry)	3.7 kg : 8.2 lbs.
Maximum Solvent Capacity (Usable Volume)	1.0 liters
Construction	Anodized aluminum, stainless steel, PTFE, Delrin <sup>®</sup> , UHMW polypropylene, nickel plated brass
National Electrical Code Conformance	Not applicable